



539 INTERFACE MODULE FOR CC3 HEATERS INSTALLATION INSTRUCTIONS

Brivis Part No: B062214

WARNING: Installing and servicing a gas ducted appliance can be hazardous. Only trained and qualified personnel should install, repair or service the equipment.

1. Description

This kit is used to connect Brivis CC3 series heaters to a Brivis Networker.



Note: The Brivis Networker is incompatible with CC3 Heaters with Add-On Cooling

2. Applicable models

All variants of Brivis CC3 - Compact Classic Heaters.

3. Kit Components

The kit consists of the following components:

Item	Description	Qty	
1	539 Interface Module	1	
2	Self Drill screws	2	

NOTE: Ensure all components are present prior to assembly



539 INTERFACE MODULE FOR CC3 HEATERS INSTALLATION INSTRUCTIONS

Brivis Part No: B062214

Prior to installation, ensure the unit is disconnected from power and wall control.

Instructions for installation:-

1. Connection from 539 Interface to CC3 Heater.

- 1.1 Connect red and white wires from 539 Interface Module to “W” and “R” terminal of the heater. Connection is polarity insensitive. See **Figure 1**

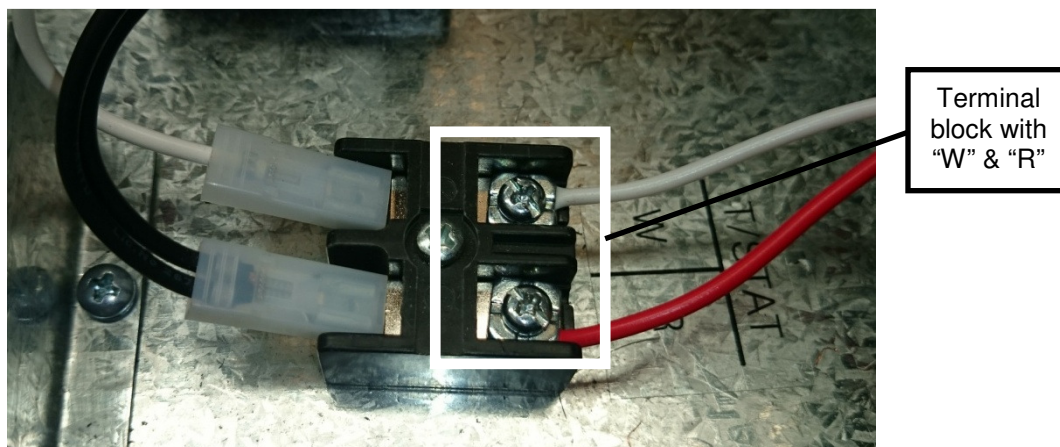


Figure 1

- 1.2 Locate and disconnect the transformer's 24V ACTIVE 'QC' connector from the RED wire going to the heater control board. See **Figure 2**

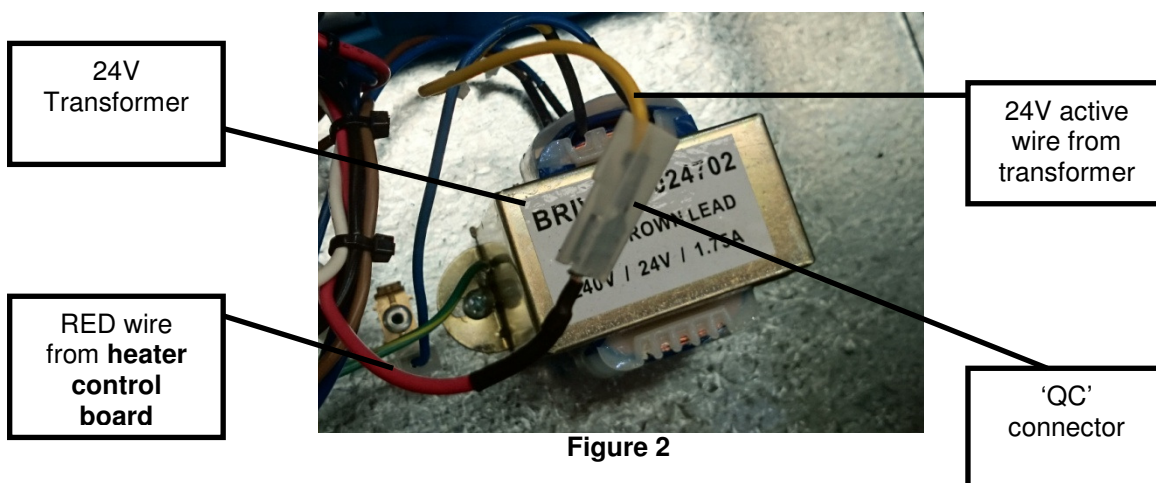


Figure 2

539 INTERFACE MODULE FOR CC3 HEATERS INSTALLATION INSTRUCTIONS Brivis Part No: B062214

- 1.3 Connect the BROWN wire from 539 Interface Module with the RED 24V wire previously disconnected in step 1.2. Then connect both these to the 24V ACTIVE 'QC' connector. See **Figure 3**

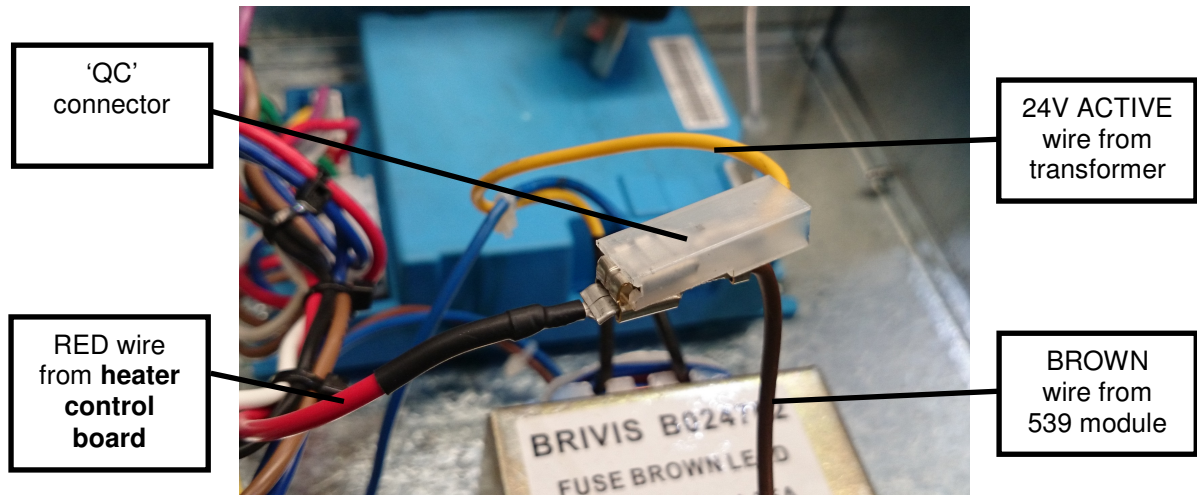


Figure 3

- 1.4 Insulate any exposed terminals on the connection made in step 1.3 with electrical tape. See **Figure 4**

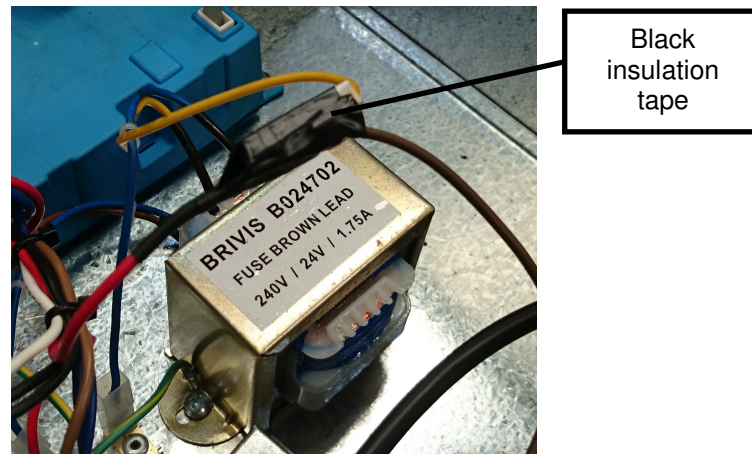


Figure 4



539 INTERFACE MODULE FOR CC3 HEATERS INSTALLATION INSTRUCTIONS Brivis Part No: B062214

- 1.5 Attach the GREEN/YELLOW earth wire from the 539 Interface Module to any available earth tabs. See **Figure 5**

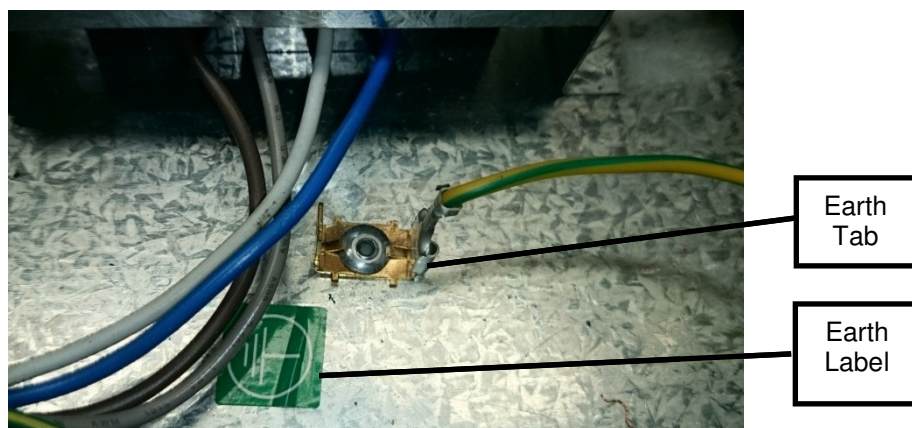


Figure 5

2. Connect the Two-Wire Bus wire from the Networker to the TW1 & TW2 terminals on the 539 Interface Module. See **Figure 6**

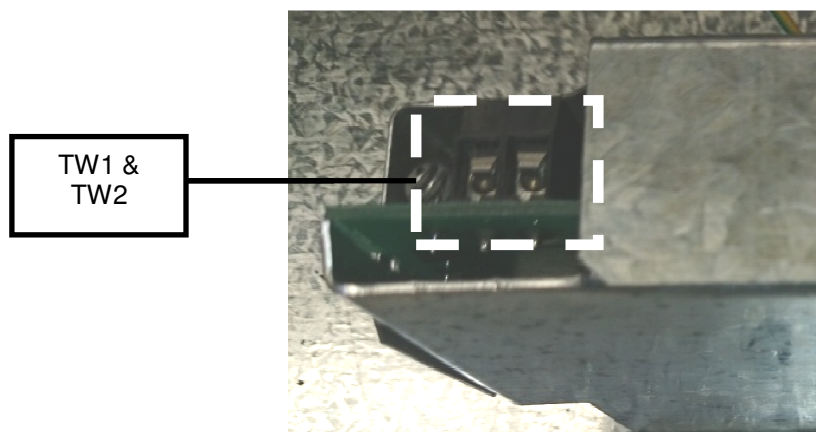


Figure 6



539 INTERFACE MODULE FOR CC3 HEATERS INSTALLATION INSTRUCTIONS Brivis Part No: B062214

3. Secure 539 Interface Board to the controls tray using screws provided, as shown in Figure 7.

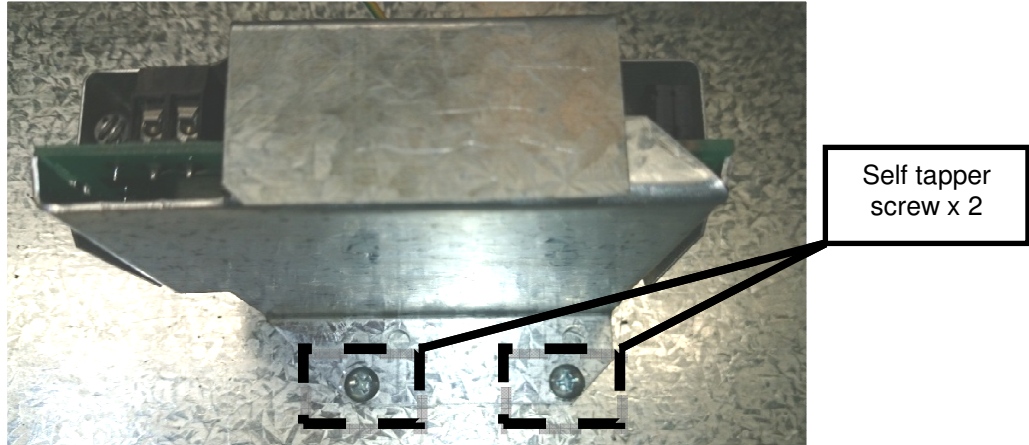


Figure 7

4. Wiring diagram overview

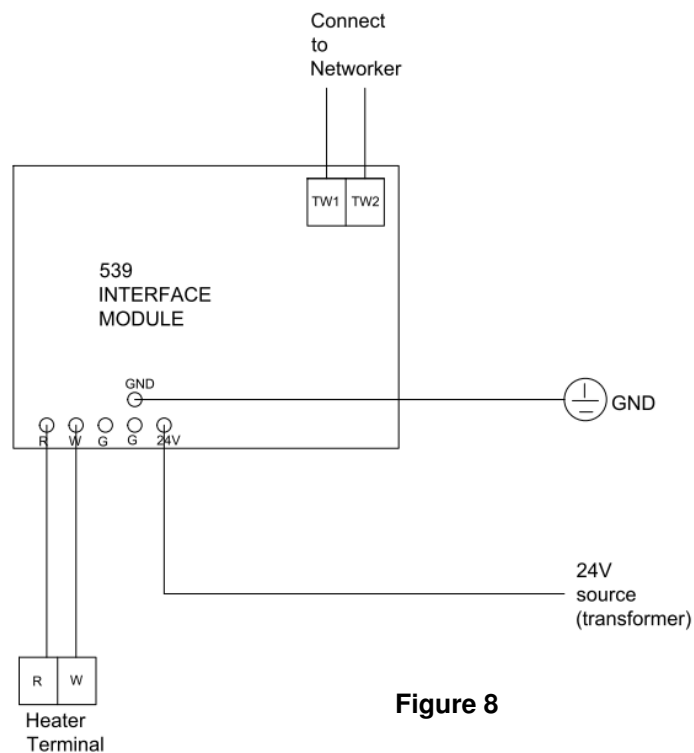


Figure 8



539 INTERFACE MODULE FOR CC3 HEATERS INSTALLATION INSTRUCTIONS Brivis Part No: B062214

5. Setting Heater ID (for multiple heater applications)

NOTE: If there is only one CC3 heater on the Network, skip this section.

Up to four (4) CC3 heaters fitted with the 539 Interface Module can be connected to a single Networker. For a system with more than one CC3 heater, each one must have a different heater ID number (or address) configured.

To change the heater ID number, specific jumper(s) need to be removed. These are located on front, right hand side of the 539 Interface Module (see **Figure 9**). The default setting is number “1”. To change the heater number to “2” for example, remove the right hand jumper only (see **Figure 10**). **Changing the address must be done with no power applied to the heater.**

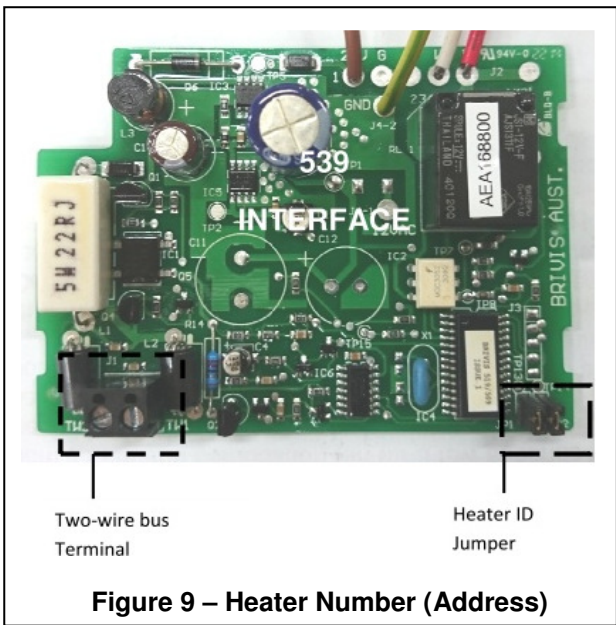


Figure 9 – Heater Number (Address)

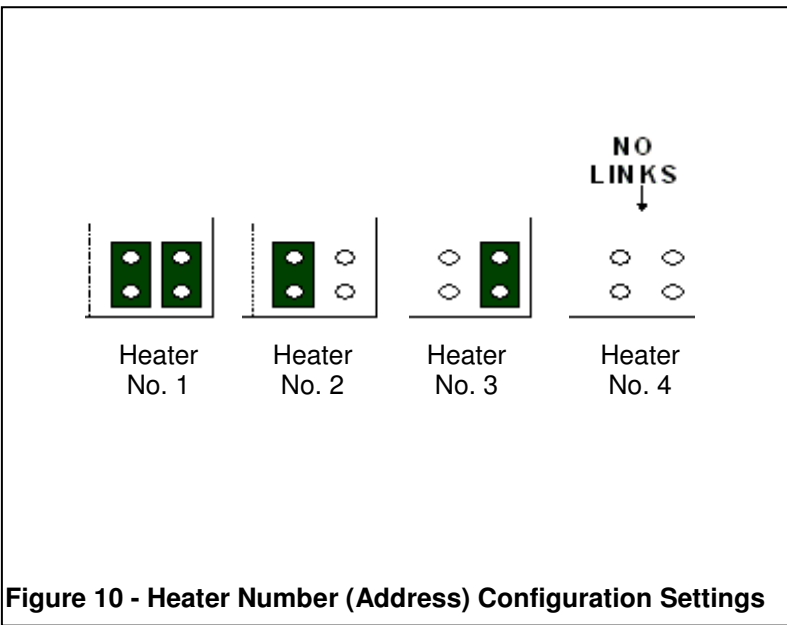


Figure 10 - Heater Number (Address) Configuration Settings

6. Testing Installation.

- 6.1 Reconnect the power supply to the heater. The heater should run the room air fan and combustion fan for a few seconds followed by the green LED on the heater control blinking periodically. Otherwise, check the 24V supply connection between the heater and 539 Interface Module.
- 6.2 Check the heating function by scrolling the Networker “Mode” to HEAT. (only if other appliances are connected to Networker - e.g. Evaporative Cooler).
- 6.3 Once set to HEAT, set desired temperature at least 5°C above room temperature - the heater should commence its normal starting sequence.